



Conforms to EN60204-1, EN954-1, EN292,
EN60947-5-3, EN61496-1, and EN1088
UL and C-UL listed, CSA and BG approved



H

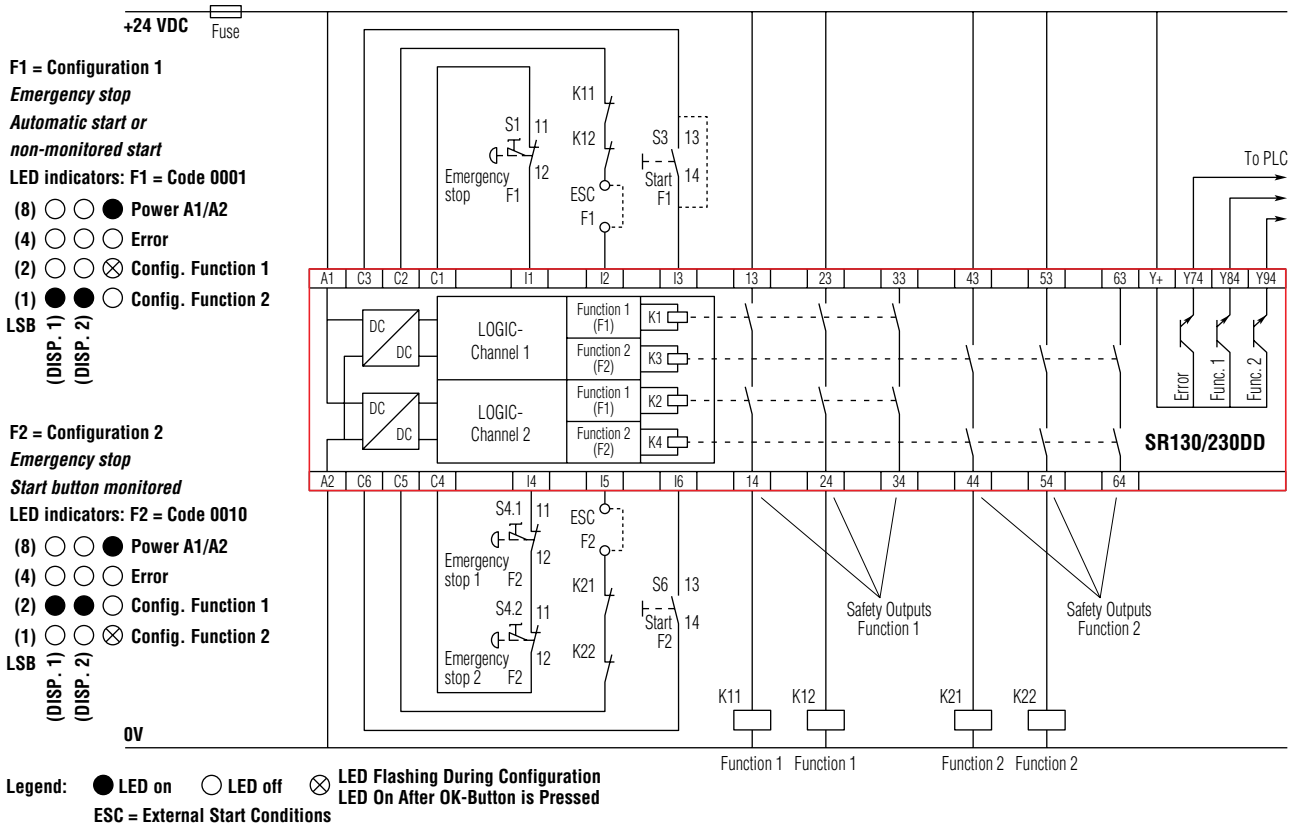
safety monitoring relays

SR130DD

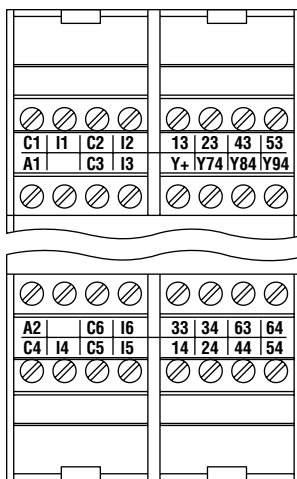
Dual-Channel Dual-Device Safety Monitoring Relay

- Power requirements—the SR130DD will accept 24 VDC
- Inputs—the SR130DD provides dual-channel input from two different independent safety devices. These safety devices may be E-stops, interlock switches or light curtains with dry contact outputs.
- Outputs—the SR130DD has three N/O outputs for each of the safety devices. Three solid state outputs are available for monitoring.
- External Device Monitoring (EDM) is provided with a N/C loop for each set of outputs for the two safety device inputs
- Programmable—the SR130DD is configured to accept the two safety device inputs using the touch pad on the front cover

Application

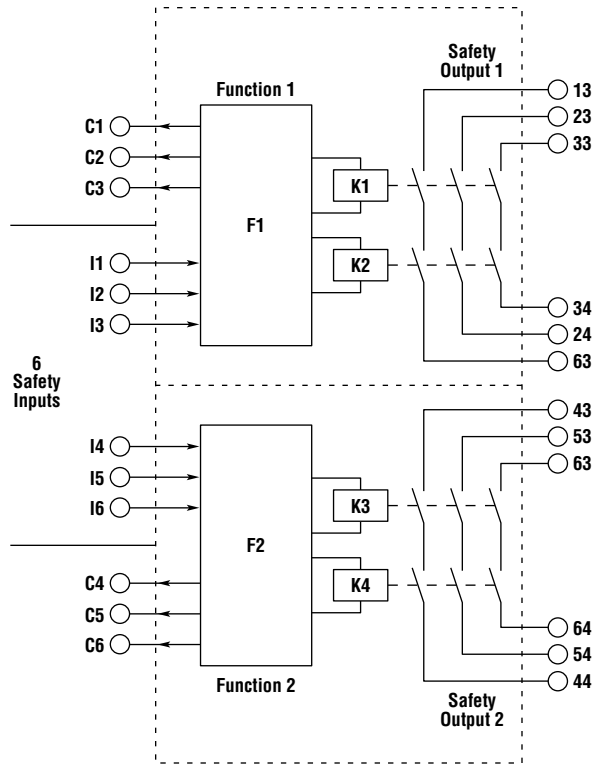


Terminal Connections



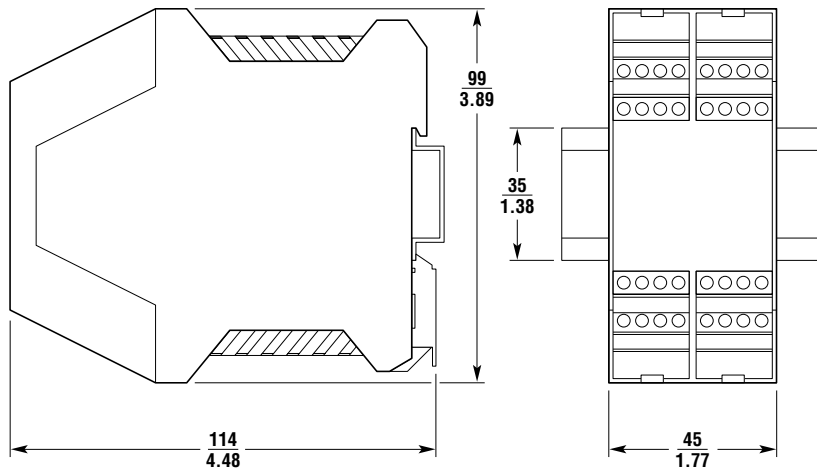
H safety monitoring relays

■ Block Diagram



H
safety monitoring relays

■ Dimensions — mm/in.



■ Specifications

| Electrical | All Models |
|-----------------------------------|---|
| Power Supply: | ±20%, 24 VDC |
| Power Consumption: | ≤5 W |
| Internal Fuse: | Electronic |
| Safety Inputs: | Configured from front panel |
| Relay Outputs: | 6 N/O (2 sets of 3 N/O) (3 solid state for signaling) |
| Max Switched AC: | Inductive AC-15, 1800 VA inrush, 180 VA maintained |
| Max Switched DC: | Inductive DC-13, 1.25 A/24 VDC |
| Min Switched Current/Voltage: | 10 mA/17 V |
| Impulse Withstand Voltage: | 4000 V |
| Max Drop-Out Time: | 30 ms |
| Max Output Fuse: | 4 A slow-acting fuse or 6 A quick-acting fuse |
| Reset Mode: | Configured from front panel |
| External Device Monitoring (EDM): | N/C loop for each set of outputs |
| Mechanical | |
| Mounting: | 35 mm (1.38 in.) DIN rail |
| Case Material: | Polyamide PA6.6 |
| Max Wire Size: | 0.2 to 1.5 mm ² (24 to 16 AWG) |
| Weight: | 320 g (11.3 oz.) |
| Color: | Red |
| External Switches: | None |
| Indication: | 12 LEDs configured from front panel |
| Mechanical Life: | 1 x 10 ⁶ operations |
| Environmental | |
| Enclosure Protection: | IP20 terminals, IP40 (NEMA 1) housing |
| Operating Temperature: | -10 to 55°C (14 to 131°F) |
| Compliance | |
| Standards: | EN60204-1, EN954-1, EN61496-1 (Type 4), EN60947-5-3, EN1088 |
| Approvals/Listings: | CE-marked for all applicable directives, UL and C-UL, CSA, BG |
| Safety Category: | Cat. 4 per EN954-1 (SR130DD internal operation) |

Specifications are subject to change without notice.

Note: The safety contacts of the Omron STI switches are described as normally closed (N/C)—i.e., with the guard closed, actuator in place, and the machine able to be started.

■ Ordering

| Model | Supply | Terminals | Part No. |
|-----------|--------|-----------|------------|
| SR130DD00 | 24 VDC | Fixed | 44510-1300 |